

4040XH General examination table

A new, hydraulic general examination table



Main features:

1. Extensive height adjustment range 45 – 90 cm
2. Simple frame construction enables easy cleaning and high level of hygiene
3. Light and easy to manoeuvre

The 4040XH examination table is a hydraulic version of the popular 4040X examination table. 4040XH is suitable for general examinations in different healthcare facilities. Its patented construction and low minimum height mean that even children and elderly patients are able to get up onto the table with ease. The table is lighter and easier to manoeuvre than traditional examination tables.

The height-adjustment is done with a foot pedal and the back section adjustment is assisted by a gas spring mechanism. The extensive height adjustment range and a high load capacity enable comfortable and efficient working for care providers and increase safety when examining or moving patients. The table features a paper roll stand and cutter as standard, as well as an adapter for fitting an IV-stand (6 possible fitting positions).

LOJER® For easy care

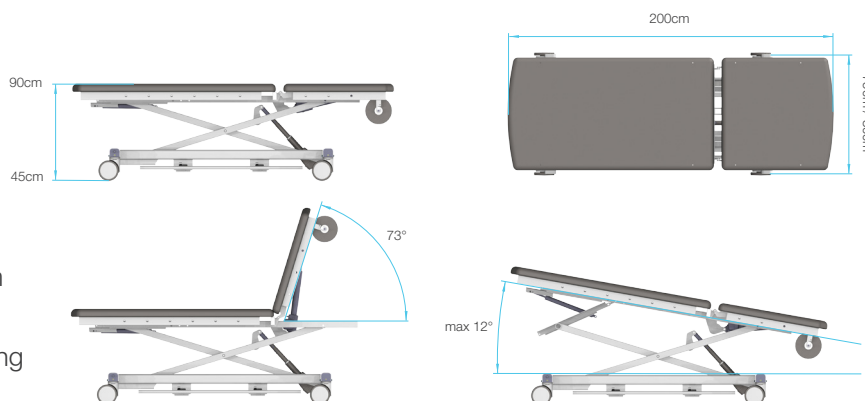
Technical data	
Total width	75 cm (80 cm optional)
Patient surface width	70 cm (80 cm optional)
Total length	200 cm
Patient surface length	200 cm
Total weight	108 kg
Height adjustment	45 - 90 cm
Back section length	70 cm
Back section adjustment	73°
Trendelenburg adjustment (optional)	max. 12°
Castors	Ø125 mm (twin castors optional)
Safe working load (SWL)	210 kg
Upholstery	Antimicrobial Silvery-fabric
CE -marking	Yes
Warranty	2/10 years
Country of Manufacture	Finland

Factory installed options:

- Trendelenburg
- Central locking twin castors Ø125 mm

Other accessories:

- Side rails
- IV-pole
- Arm rest
- Neck cushion
- Examination light
- Push handles
- Adapter for accessories
- Accessory rail 380 mm x 10mm x 25 mm (max. 6 units)
- All accessories fitted to accessory rail fixing
- Anaesthesia frame



LOJER® For easy care

© Lojer Group 2019. All Rights reserved | Lojer Group, Putajantie 42, 38210 Sastamala | Tel. + 358 (0) 10 830 6700 | myynti@lojer.com | www.lojer.com

Lojer Group is the largest manufacturer of medical furniture in the Nordic countries. In our two factories in Finland, we manufacture products such as hospital beds and operating tables, examination tables and treatment tables.