

# Geriatric recliner chair 6700

A multipurpose hygiene geriatric chair



## Main features:

1. The ergonomic seat together with versatile adjustments enable comfortable sitting
2. Hygiene chair with extremely durable upholstery
3. Also suitable for outdoor use (optional large Ø300 mm front castors)

The upgraded geriatric recliner chair 6700 is of high quality, versatile and designed for the needs of care work professionals. Above all, special attention has been paid to sitting comfort, stability and functionality when designing the renewed geriatric chair. Ø125 mm castors make the chair easy to move around. For more challenging conditions - such as outdoor use - you can choose optional Ø300mm front castors.

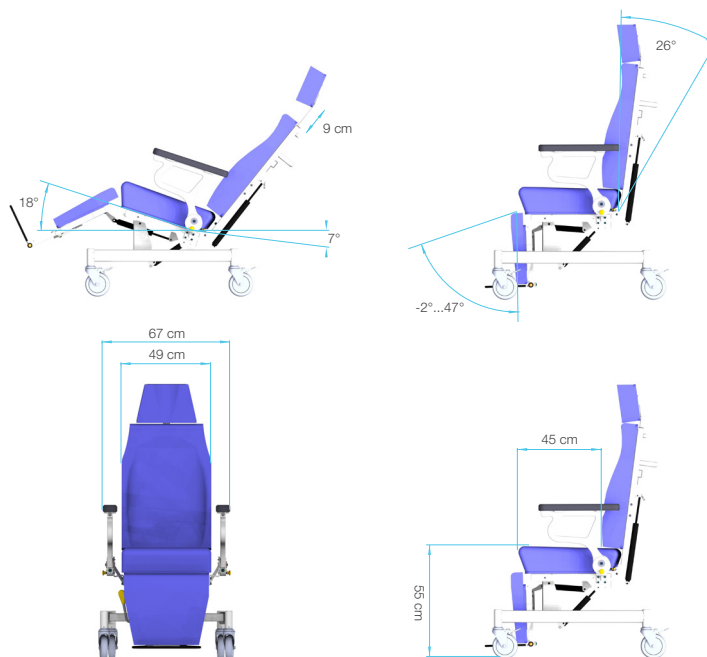
6700's upholstery is of highly hygienic fabric, that meets even the most tightest requirements and is also suitable for outdoor use. The fabric is extremely durable, waterproof and easy to clean. It is also very resistant to disinfectants.

**LOJER**<sup>®</sup> For easy care

Technical data and features	
Total width	67 cm
Seat height (from the front edge of the seat)	55 cm
Seat width (between arm supports)	49 cm
Seat depth	45 cm
Seat adjustment forward / back	7° / 18°
Back section adjustment	26°
Foot rest length adjustment	14 cm
Leg section adjustment	-2° ... 47°
Headrest height adjustment	9 cm
Castors	Locking Ø125 mm with directional wheel
Safe Working Load (SWL)	150 kg
Weight	59 kg
Frame	Hygiene epoxy-coated steel
Upholstery	Pleasant and ergonomically shaped upholstery of hygiene fabric
Other features	Sturdy pushing handles   backrest, leg section and seat tilt steplessly with the help of gas springs   length of the foot rest is steplessly adjustable   arm rests that fold back   stepless arm rest angle adjustment   neck cushion   meal tray that locks into the arm rests (depth adjustment)
CE marked	Yes
Warranty	2 years
Country of manufacture	Finland

#### Other accessories:

- Pair of neck supports
- Pair of body supports
- Seat belt
- IV-pole (60121AMI) and adapter
- Ø300 mm wheels in front



**MADER**  
MEDICAL SYSTEMS

Kirchlergründe 6/19  
A-6200 Jenbach

T: +43 5244 211 41      www.mader-medical.com  
F: +43 5244 211 41-42      office@mader-medical.com