

# 4040X AM Antimicrobial examination table

A new antimicrobial general examination table



Main antimicrobial features:

1. No hands needed - height and back section adjustment using a two-piece foot controller
2. Extremely durable antimicrobial upholstery featuring advanced silver ion treatment
3. Frame and accessories coated with special paint to stop the spread of bacteria; some parts made of antimicrobial brass

The popular 4040X general examination table is now available in an antimicrobial version. The difference is in the key surfaces: the table features antimicrobial surfaces designed to stop the spread of bacteria. The antimicrobial 4040X is ideal for any healthcare application where particular attention is given to stopping the spread of infections through touch. The table features completely hands-free height and back section using a two-part foot controller, minimising the need for hand contact. The patented frame design is simple and uncluttered, making cleaning easy.

The extremely low minimum height of the table makes it easier for patients to get onto the table – particularly helpful for children and elderly patients. The table is lightweight and easy to manoeuvre. New motor technology enables the back section to be adjusted electronically as well as manually, if required. The 4040X features the largest height range on the market (40 – 95 cm); together with its impressive load capacity this makes the table excellent for ergonomic working positions and safety, both during examinations and when moving patients. The table features a paper roll holder and cutter as standard, as well as an adapter for an IV-pole (6 different fixing positions). Other accessories are also available.

**LOJER**® Antimicrobial

**Antimicrobial data ISO 22196, JIS Z 2801, EPA****More information on request**

Painted parts	Painted with antimicrobial epoxy powder paint
Upholstery	Waterproof vinyl and silver ion technology   Several colour options
Accessories	Painted parts antimicrobial epoxy powder paint, brass parts EPA approved copper alloy

**Technical data**

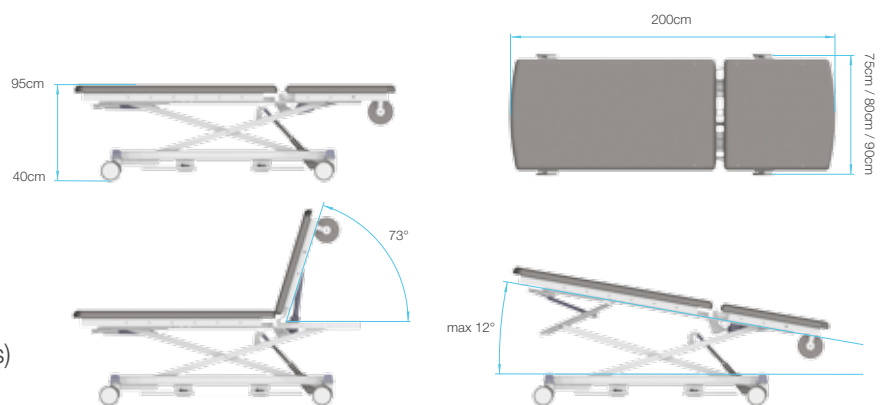
Total width	75 cm (optional 80 cm and 90 cm)
Width of upholstery	70 cm (optional 80 cm and 90 cm)
Total length	200 cm
Total weight	108 kg
Height adjustment range	40 - 95 cm
Back section length	70 cm
Back section adjustment	0-73°
Trendelenburg adjustment (optional)	max. 12°
Casters	Ø125 mm individual locking
Safe working load (SWL)	210 kg
Electrical system	24V
CE-marking	Yes
Country of Manufacture	Finland

**Factory installed options:**

- Trendelenburg (gas spring assisted)
- Battery power (short-term use)
- Central locking Ø 125 mm or Ø 150 mm twin castors

**Other antimicrobial accessories:**

- Side rails
- IV-pole
- Arm rest
- Neck cushion
- Push handles
- Adapter for accessories  
380 mm x 10 mm x 25 mm (max. 6 units)
- Anaesthesia frame



The HygTech Alliance is a group of six Finnish companies (Lojer Group, Isku, Abloy, Oras, Teknos and Korpinen) developing products and solutions related to hygiene management, which will enable a significant reduction in the rates of hospital infections and other diseases transmitted through contact.



**MADER**  
MEDICAL SYSTEMS

Kirchlergründe 6/19  
A-6200 Jenbach

T: +43 5244 211 41    www.mader-medical.com  
F: +43 5244 211 41-42    office@mader-medical.com