

4040X General examination table

A new, versatile general examination table



Product pictured with optional accessories.

Main features:

1. Market-leading height adjustment range 40 – 95 cm
2. Simple frame construction enables easy cleaning and high level of hygiene
3. New motors lower using gravity, improving safety for patients and users

The all-new 4040X general examination table is suitable for general examinations in different healthcare facilities. Its patented construction and extremely low minimum height mean that even children and elderly patients are able to get up onto the table with ease. The table is lighter and easier to manoeuvre than traditional examination tables. The new motor technology allows for back section height adjustment electrically or manually, if required.

The widest height adjustment range on the market and a high load capacity enable comfortable, efficient working for care providers and increase safety when examining or moving patients. The table features a paper roll stand and cutter as standard, as well as an adapter for fitting an IV-stand (6 possible fitting positions). A hands-free height adjustment bar is available as an option, enabling the table height and back section to be adjusted from both sides of the table by foot.

The lowest examination table on the market – minimum height just 40 cm.

LOJER[®] For easy care

Technical data	
Total width	75 cm (80 / 90 cm optional)
Patient surface width	70 cm (80 / 90 cm optional)
Total length	200 cm
Patient surface length	200 cm
Total weight	108 kg
Height adjustment	40 - 95 cm
Back section length	70 cm
Back section adjustment	73°
Trendelenburg adjustment (optional)	max. 12°
Castors	Ø125 mm (twin castors optional)
Safe working load (SWL)	210 kg
Upholstery	Several colour and material options (see upholstery product card for more info)
Electric system	24V
CE -marking	Yes
Hand controller	Yes
Warranty	2/10 years
Country of Manufacture	Finland (Lojer Oy)

Factory installed options:

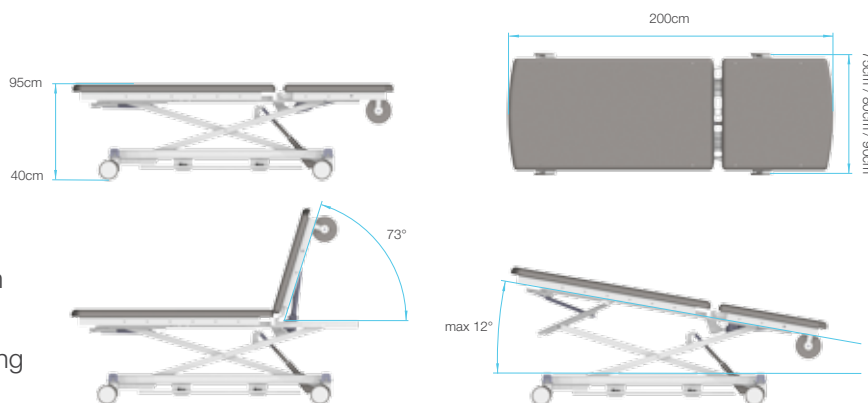
- A hands-free adjustment bar for height and back section
- Trendelenburg
- Battery power
- Central locking twin castors Ø125 mm



Watch a video of 4040X
<http://bit.ly/4040x>

Other accessories:

- Side rails
- IV-pole
- Arm rest
- Neck cushion
- Examination light
- Push handles
- Adapter for accessories
- Accessory rail 380 mm x 10mm x 25 mm (max. 6 units)
- All accessories fitted to accessory rail fixing
- Anaesthesia frame



MADER
 MEDICAL SYSTEMS

Kirchlergründe 6/19
 A-6200 Jenbach

T: +43 5244 211 41 www.mader-medical.com
 F: +43 5244 211 41-42 office@mader-medical.com